

BALLOON CLUSTER INSTALLATION INSTRUCTIONS

p: 800.837.6306

f: 513.588.3737



425 Elliott Ave., Cincinnati, OH 45215

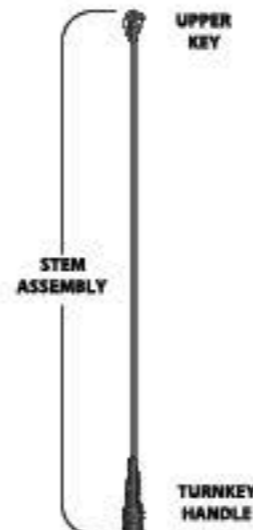
BALLOON INFLATION / ASSEMBLY

BALLOON ASSEMBLY

Keyed **THREADED PLUG** of **BALLOON** fits through key way center hole of **UPPER CUP** all the way down so that threads are exposed.



STEM



BALLOON INFLATION

STEP 1
Flip **STEM** upside down to thread onto **THREADED PLUG**.

STEP 2
Inflate using a hand or foot pump that can deliver 2-3 psi of pressure, or an air compressor with a tapered fill nozzle tip.

STEP 3
Insert **AIR PLUG** into inflation hole after fully inflated.

17" MAX. DIAMETER

DO NOT OVER-INFLATE! BALLOON MAY BURST AND CAUSE INJURY!!!

WARNING!

USE EYE PROTECTION WHEN INFLATING!!!

INFLATION TIPS:

- Use a bicycle pump, or air-compressor to inflate
- It is easier to inflate balloon at room temperature, (70-75°F) or higher, as balloon material elasticity is increased.
- **DO NOT OVER INFLATE -BALLOON MAY BURST AND CAUSE INJURY!!!**
- Inflate balloon just beyond point when wrinkles flatten on surface and balloon feels tight.

INFLATE HERE

THREAD

TWIST

INFLATION & DEFLATION AIR PLUG

BALLOON CLUSTER ASSEMBLY



Align **TURNKEY HANDLE** so that top of pole insert ears fit inside **HANDLE** and bottom out.



Twist lock the **TURNKEY HANDLE** onto the pole insert as shown above.

LOCKING SCREW Feature



USING PHILLIPS SCREWDRIVER
After **HANDLE** is locked onto **POLE**, drive screw into hole on side of **HANDLE**.

FINISHED PRODUCT!



***REPEAT** step for all remaining stem handles after they are assembled onto remaining plastic fittings

BALLOON CLUSTER INSTALLATION INSTRUCTIONS

p: 800.837.6306

f: 513.588.3737

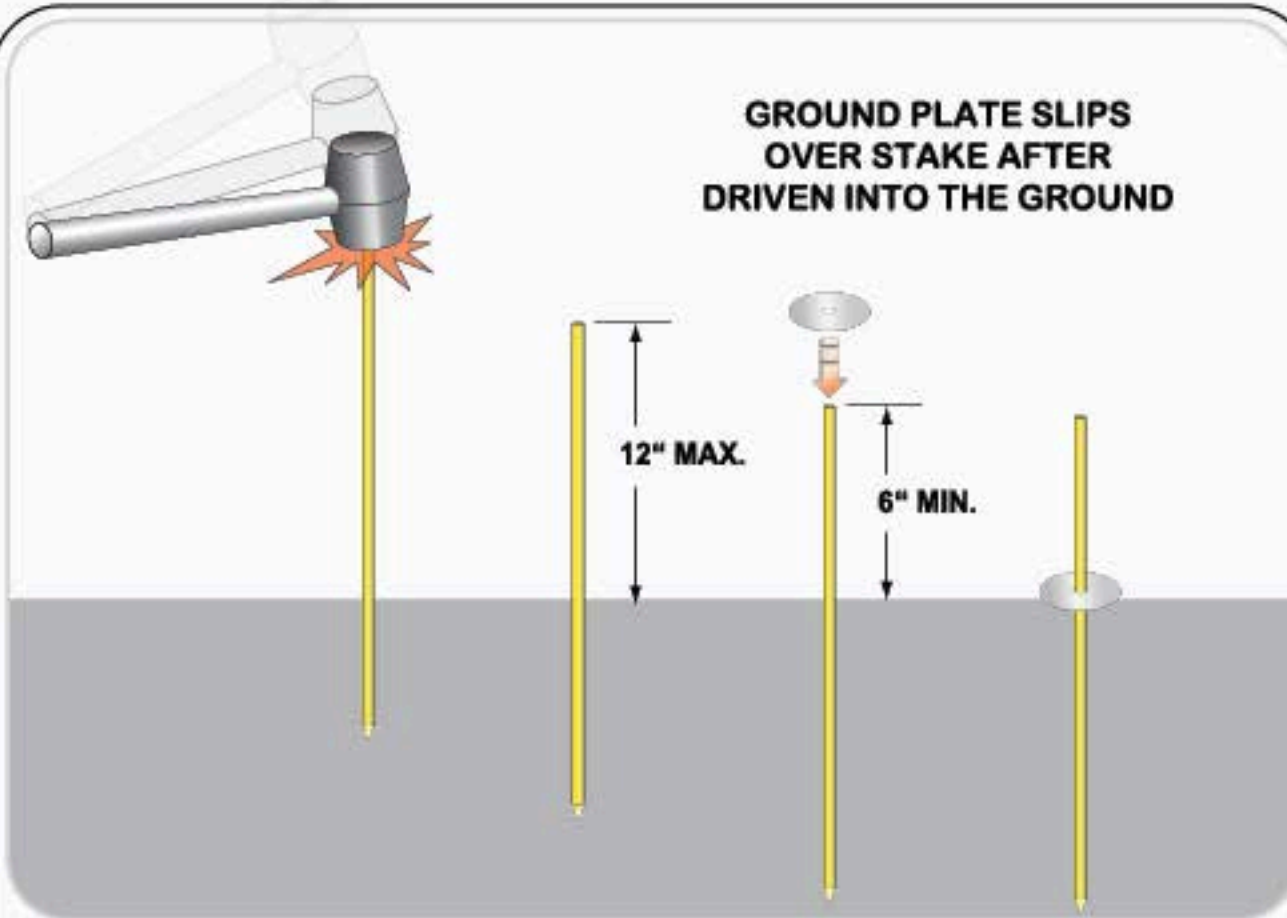


425 Elliott Ave., Cincinnati, OH 45215

event advertising

GROUND STAKE INSTALLATION

- 1 Locate acceptable soil, lawn, or landscaped surface suitable for driving in GROUND STAKE....
- 2 Begin by pounding the GROUND STAKE into ground only 1-2 inches with a mallet or hammer making sure to keep the stake as VERTICAL as possible. Once the stake is standing on its own, take a step back to make certain it is standing vertical... If not, adjust it by hand to achieve a vertical stance. Continue to DRIVE STAKE into ground. Check to make sure it will not move side to side. IT IS VERY IMPORTANT that the stake is above ground surface between 6 inches MINIMUM and 12 inches MAXIMUM! Otherwise, damage to product can result! **If there is a line marked on the stake be sure it is at, or just below the ground**



- 3 PLACE circular 3.5 inch diameter aluminum GROUND PLATE onto protruding GROUND STAKE so that it rests on the ground surface with the stake through the hole in the center.

TIPS:

- Using a mallet or hammer is recommended.
- Do not drive stake into rocky or hardened soil.
- Keep clear of any possible underground irrigation lines



POLE ASSEMBLY

